

|           |                                 |
|-----------|---------------------------------|
| <b>02</b> | <b>ORGANE BOITE DE VITESSES</b> |
|           | GEARBOX COMPONENT               |
|           | ORGAN GETRIEBE                  |

|           |                                    |
|-----------|------------------------------------|
| <b>56</b> | <b>SOUS-ORGANE BOITE DE RELAIS</b> |
|           | CLUTCH BOX SUB-COMPONENT           |
|           | UNTER-ORGAN VORSCHALTGETRIEBE      |

|            |                                    |
|------------|------------------------------------|
| <b>201</b> | <b>BOITE DE RELAIS TYPE GG 350</b> |
|            | CLUTCH BOX TYPE GG 350             |
|            | VORSCHALTGETRIEBE TYP GG 350       |

VALIDITE DE  
LA VARIANTE  
D'ORGANE

VARIANT  
COMPONENT  
APPLICABILITY

ABGELEITETE  
GULTIGKEIT

A PARTIR DE LA BOITE N°  
FROM CLUTCH BOX N°  
AB VORSCHALTGETRIEBE Nr } 1.224

|           |           |            |                         |                  |
|-----------|-----------|------------|-------------------------|------------------|
| <b>02</b> | <b>56</b> | <b>201</b> | N° EDITION<br>CATALOGUE | N° DE<br>PLANCHE |
| 1         | 2         | 3          | 4                       | 5                |

|  |    |    |
|--|----|----|
| Carter de boîte de relais .....<br><i>Gear housing</i><br><i>Gehäuse</i>   | 01 | 01 |
| Couvercles arrière, graissage, prise tachymètre<br><i>Speedometer drive, oil pump, oil pipes</i><br><i>Tachometerantrieb, Olpumpe, Olleitungen</i> | 01 | 02 |
| Engrenages de la boîte de relais .....<br><i>Clutch box gears</i><br><i>Zahnräder des Vorschaltgetriebes</i>                                       | 01 | 03 |
| Commande des vitesses .....<br><i>Selector mechanism</i><br><i>Schaltung</i>   | 01 | 04 |
| Suspension de la boîte de relais .....<br><i>Clutch box mounts</i><br><i>Vorschaltgetriebeaufhängung</i>   | 01 | 05 |

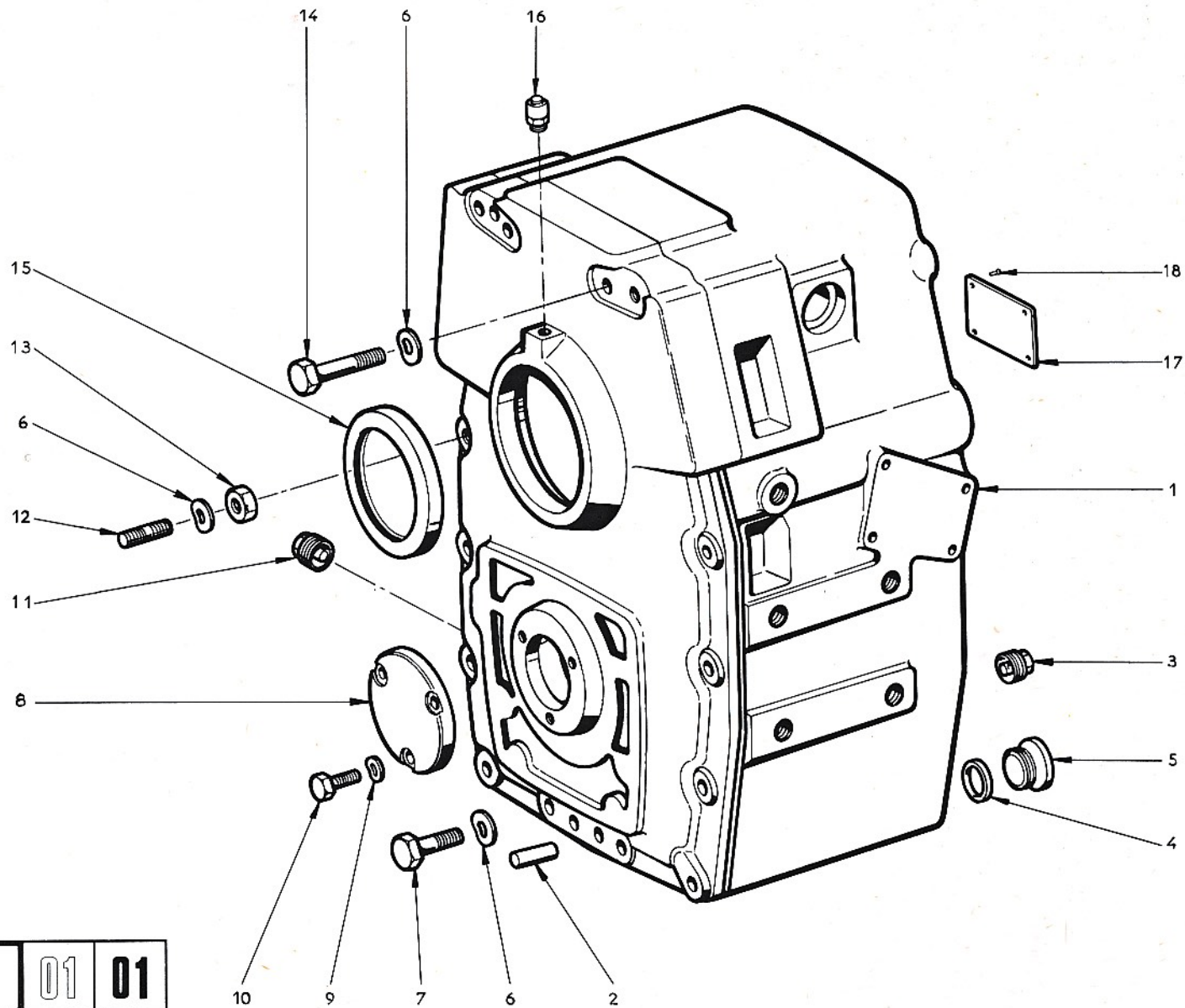
|   |                   |                     |                    |
|---|-------------------|---------------------|--------------------|
| 1 | ORGANE            | COMPONENT           | ORGAN              |
| 2 | SOUS-ORGANE       | SUB-COMPONENT       | UNTER-ORGAN        |
| 3 | VARIANTE D'ORGANE | VARIANT COMPONENT   | ABGELEITETE ORGAN  |
| 4 | N° EDITION        | CATAL. EDIT. NUMBER | NUMMER DER AUSGABE |
| 5 | N° PLANCHE        | PLATE NUMBER        | BILD Nr.           |
| 6 | REPERE            | MARKING             | KENNZIFFER         |

|    |                      |                    |                     |
|----|----------------------|--------------------|---------------------|
| 7  | N° PIECE             | PART N°            | TEIL Nr.            |
| 8  | DESIGNATION          | DESIGNATION        | BESCHRIFTUNG        |
| 9  | QUANTITE             | QUANTITY           | MENGE               |
| 10 | CODE OBSERVATIONS    | CODE OF OBSERV.    | ANMERKUNGEN KODE    |
| 11 | DETAILS OBSERVATIONS | DETAILS OF OBSERV. | ANMERKUNGEN BEDEUT. |

NOTA : Ces feuillets sont à classer à la suite de la variante d'organe 02.56.201 Réf. 655.624 Edition 00 du 15.7.72  
NOTE : These sheets are to be incorporated after the variant component 02.56.201 Ref. 655.624 Edition 00 of 15.7.72  
ANMERKUNG : Diese blätter sind hinter Abgeleitete Organ 02.56.201 Kennzahl 655.624 Ausgabe 00 vom 15.7.72 einzuordnen

Reference : 061.158.323  
Kennzahl :  
Edition :  
Ausgabe : 15.02.76





|           |           |            |           |           |
|-----------|-----------|------------|-----------|-----------|
| <b>02</b> | <b>56</b> | <b>201</b> | <b>01</b> | <b>01</b> |
| 1         | 2         | 3          | 4         | 5         |



|    |    |     |    |    |
|----|----|-----|----|----|
| 02 | 56 | 201 | 01 | 02 |
| 1  | 2  | 3   | 4  | 5  |

DÉSIGNATION PLANCHE : SE RÉFÉRER AUX PAGES "SOMMAIRE"

PLATE DESIGNATION : REFER TO FLYLEAF

BILDBESCHRIFTUNG : SIEHE VORSATZBLÄTTER

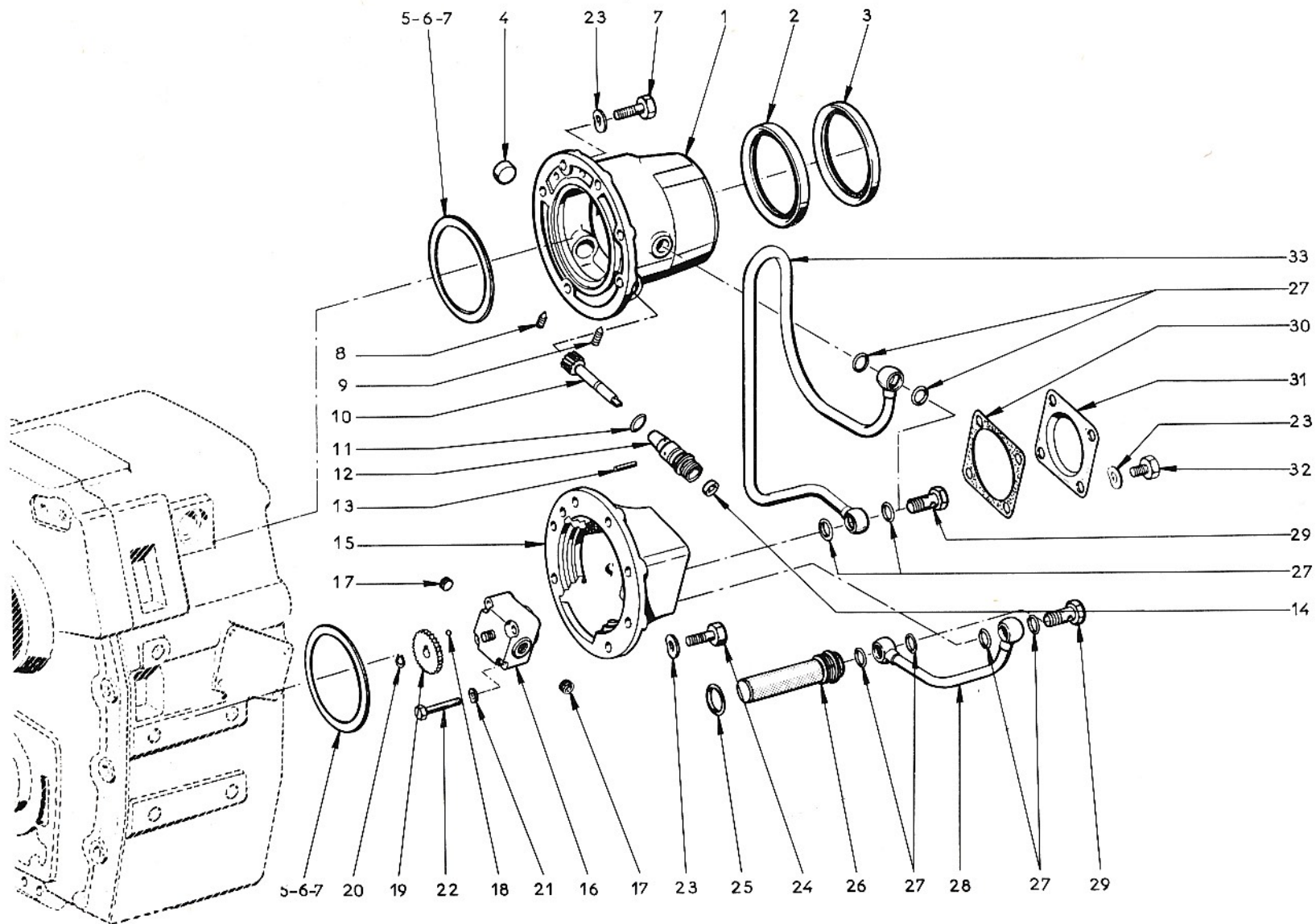


| 6  | 7        | 8              | 9  | 10 |
|----|----------|----------------|----|----|
| 1  | 61653243 | COUVERCLE      | 1  |    |
| 2  | 61653222 | JOINT          | 1  |    |
| 3  | 61653188 | JOINT          | 1  |    |
| 4  | 61653175 | BOUCHON        | 2  |    |
| 5  | 61653226 | RONDELLE EP 02 |    | 68 |
| 6  | 61653227 | RONDELLE EP 03 |    | 68 |
| 7  | 61653095 | RONDELLE EP 05 |    | 68 |
| 8  | 61653184 | GOUJON         | 1  |    |
| 9  | 61653185 | GOUJON         | 1  |    |
| 10 | 61653260 | ARBRE PIGNON   | 1  |    |
| 11 | 61653189 | JOINT          | 1  |    |
| 12 | 61653259 | RACCORD        | 1  |    |
| 13 | 61653182 | GOUPILLE       | 1  |    |
| 14 | 61653043 | JOINT          | 1  |    |
| 15 | 61653242 | COUVERCLE      | 1  |    |
| 16 | 61653265 | POMPE A HUILE  | 1  |    |
| 17 | 61653211 | BOUCHON        | 2  |    |
| 18 | 61653203 | BILLE          | 1  |    |
| 19 | 61653264 | PIGNON         | 1  |    |
| 20 | 61653176 | CIRCLIPS       | 1  |    |
| 21 | 9916228  | RONDELLE       | 4  |    |
| 22 | 61653204 | VIS            | 4  |    |
| 23 | 61653025 | RONDELLE       | 17 |    |
| 24 | 61653658 | VIS            | 13 |    |
| 25 | 61653194 | JOINT          | 1  |    |

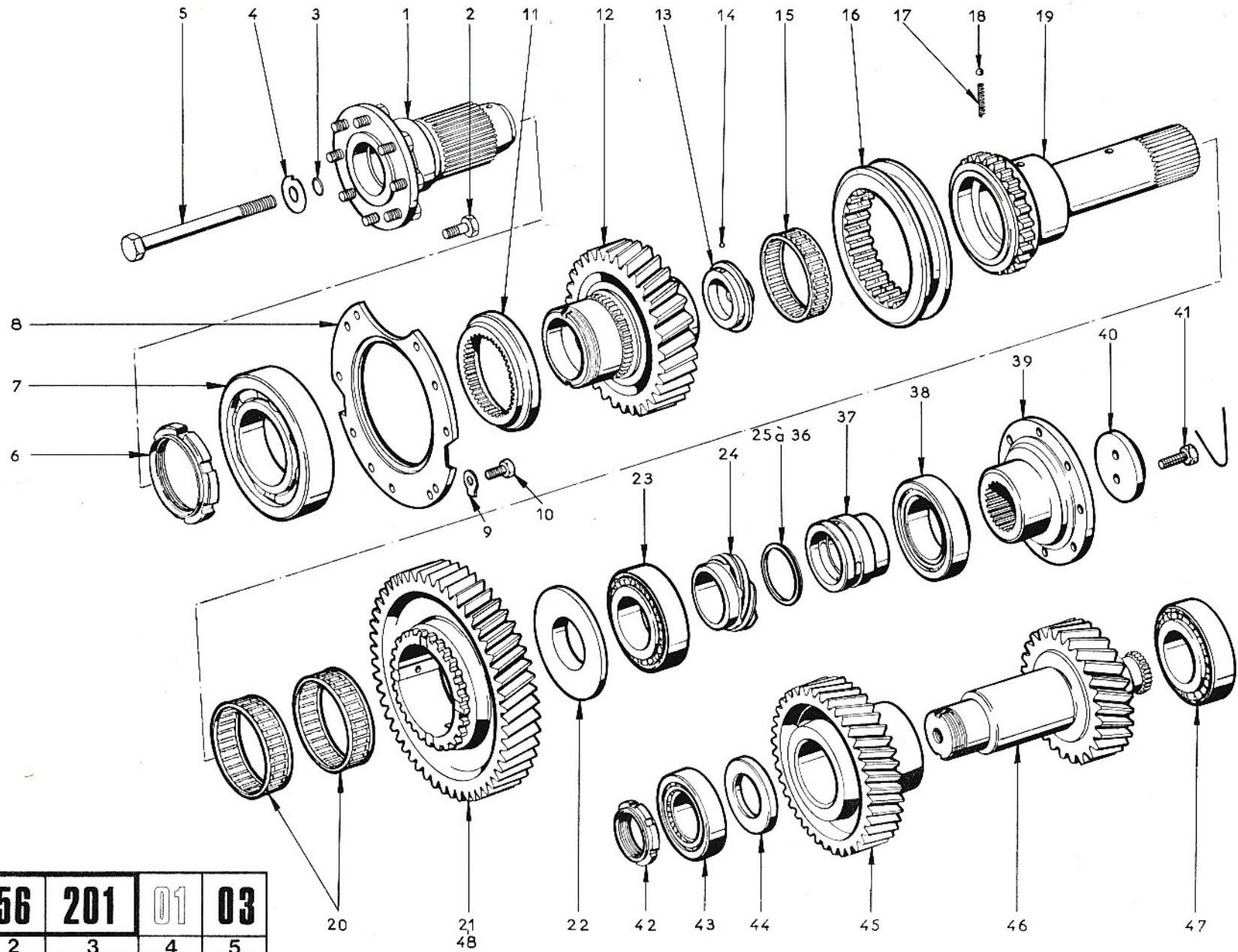
| 10 | 11  |
|----|---|
| 68 | QUANTITÉS AU CHOIX<br>QUANTITIES AS DESIRED<br>MENGEN NACH WAHL |

| 6  | 7        | 8          | 9 | 10 |
|----|----------|------------|---|----|
| 26 | 51653237 | CREPINE    | 1 |    |
| 27 | 51653191 | JOINT      | 8 |    |
| 28 | 51653238 | TUBE       | 1 |    |
| 29 | 51653213 | VIS CREUSE | 4 |    |
| 30 | 61653232 | JOINT      | 1 |    |
| 31 | 61653231 | COUVERCLE  | 1 |    |
| 32 | 61653073 | VIS        | 4 |    |
| 33 | 61653239 | TUBE HUILE | 1 |    |

| 10 | 11 |
|----|----|
|    |    |



|           |           |            |           |           |
|-----------|-----------|------------|-----------|-----------|
| <b>02</b> | <b>56</b> | <b>201</b> | <b>01</b> | <b>02</b> |
| 1         | 2         | 3          | 4         | 5         |



|           |           |            |           |           |
|-----------|-----------|------------|-----------|-----------|
| <b>02</b> | <b>56</b> | <b>201</b> | <b>01</b> | <b>03</b> |
| 1         | 2         | 3          | 4         | 5         |



DÉSIGNATION PLANCHE : SE RÉFÉRER AUX PAGES "SOMMAIRE"

PLATE DESIGNATION : REFER TO FLYLEAF

BILDBESCHRIFTUNG : SIEHE VORSATZBLÄTTER

|           |           |            |           |           |
|-----------|-----------|------------|-----------|-----------|
| <b>02</b> | <b>56</b> | <b>201</b> | <b>01</b> | <b>03</b> |
| 1         | 2         | 3          | 4         | 5         |

| 6  | 7        | 8              | 9 | 10 |
|----|----------|----------------|---|----|
| 1  | 61653235 | BRIDE ASS      | 1 |    |
| 2  | 61653664 | VIS            | 8 |    |
| 3  | 61653190 | JOINT          | 4 |    |
| 4  | 61653179 | FREIN          | 1 |    |
| 5  | 61653207 | VIS            | 1 |    |
| 6  | 61653223 | ECROU          | 1 |    |
| 7  | 61653198 | ROULEMENT      | 1 |    |
| 8  | 61653245 | RONDELLE       | 1 |    |
| 9  | 61653178 | FREIN          | 6 |    |
| 10 | 61653209 | VIS            | 6 |    |
| 11 | 61653246 | BUTEE          | 1 |    |
| 12 | 61653247 | PIGNON 37 DENT | 1 |    |
| 13 | 61653248 | RONDELLE       | 1 |    |
| 14 | 61653203 | BILLE          | 1 |    |
| 15 | 61653196 | CAGE A AIGUILL | 1 |    |
| 16 | 61653244 | MANCHON        | 1 |    |
| 17 | 61653228 | RESSORT        | 3 |    |
| 18 | 9005026  | BILLE          | 3 |    |
| 19 | 61653253 | ARBRE SORTIE   | 1 |    |
| 20 | 61653195 | CAGE           | 2 |    |
| 21 | 61653252 | PIGNON 39 DENT | 1 |    |
| 22 | 61653217 | RONDELLE       | 1 |    |
| 23 | 61653200 | ROULEMENT      | 1 |    |
| 24 | 61653249 | VIS SANS FIN   | 1 |    |
| 25 | 61653230 | RONDELLE EP 21 |   | 68 |

| 6  | 7        | 8              | 9 | 10 |
|----|----------|----------------|---|----|
| 26 | 51653665 | RONDELLE EP 19 |   | 68 |
| 27 | 51653666 | RONDELLE EP 17 |   | 68 |
| 28 | 51653667 | RONDELLE EP 15 |   | 68 |
| 29 | 51653668 | RONDELLE EP 13 |   | 68 |
| 30 | 61653669 | RONDELLE EP 11 |   | 68 |
| 31 | 61653670 | RONDELLE EP 14 |   | 68 |
| 32 | 61653671 | RONDELLE EP155 |   | 68 |
| 33 | 61653672 | RONDELLE EP 16 |   | 68 |
| 34 | 61653673 | RONDELLE EP165 |   | 68 |
| 35 | 51653674 | RONDELLE EP175 |   | 68 |
| 36 | 61653675 | RONDELLE EP 18 |   | 68 |
| 37 | 61653218 | DOUILLE        | 1 |    |
| 38 | 61653199 | ROULEMENT      | 1 |    |
| 39 | 61653251 | BRIDE SORTIE   | 1 |    |
| 40 | 61653233 | RONDELLE       | 1 |    |
| 41 | 51653210 | VIS            | 2 |    |
| 42 | 61653224 | ECROU          | 1 |    |
| 43 | 61653201 | ROULEMENT      | 1 |    |
| 44 | 61653219 | RONDELLE       | 1 |    |
| 45 | 61653261 | ROJE 38 DENTS  | 1 |    |
| 46 | 61653262 | ARBRE          | 1 |    |
| 47 | 61653202 | ROULEMENT      | 1 |    |
| 48 | 61142096 | PIGNON 40 DENT | 1 |    |

| 10 | 11  |
|----|---|
| 68 | QUANTITES AU CHOIX<br>QUANTITIES AS DESIRED<br>MENGEN NACH WAHL |

| 10 | 11 |
|----|----|
|    |    |

**02 56 201 01 04**

DÉSIGNATION PLANCHE : SE RÉFÉRER AUX PAGES "SOMMAIRE"

PLATE DESIGNATION : REFER TO FLYLEAF

BILDBESCHRIFTUNG : SIEHE VORSATZBLÄTTER

camions  
**UNIC**  
**FIAT**

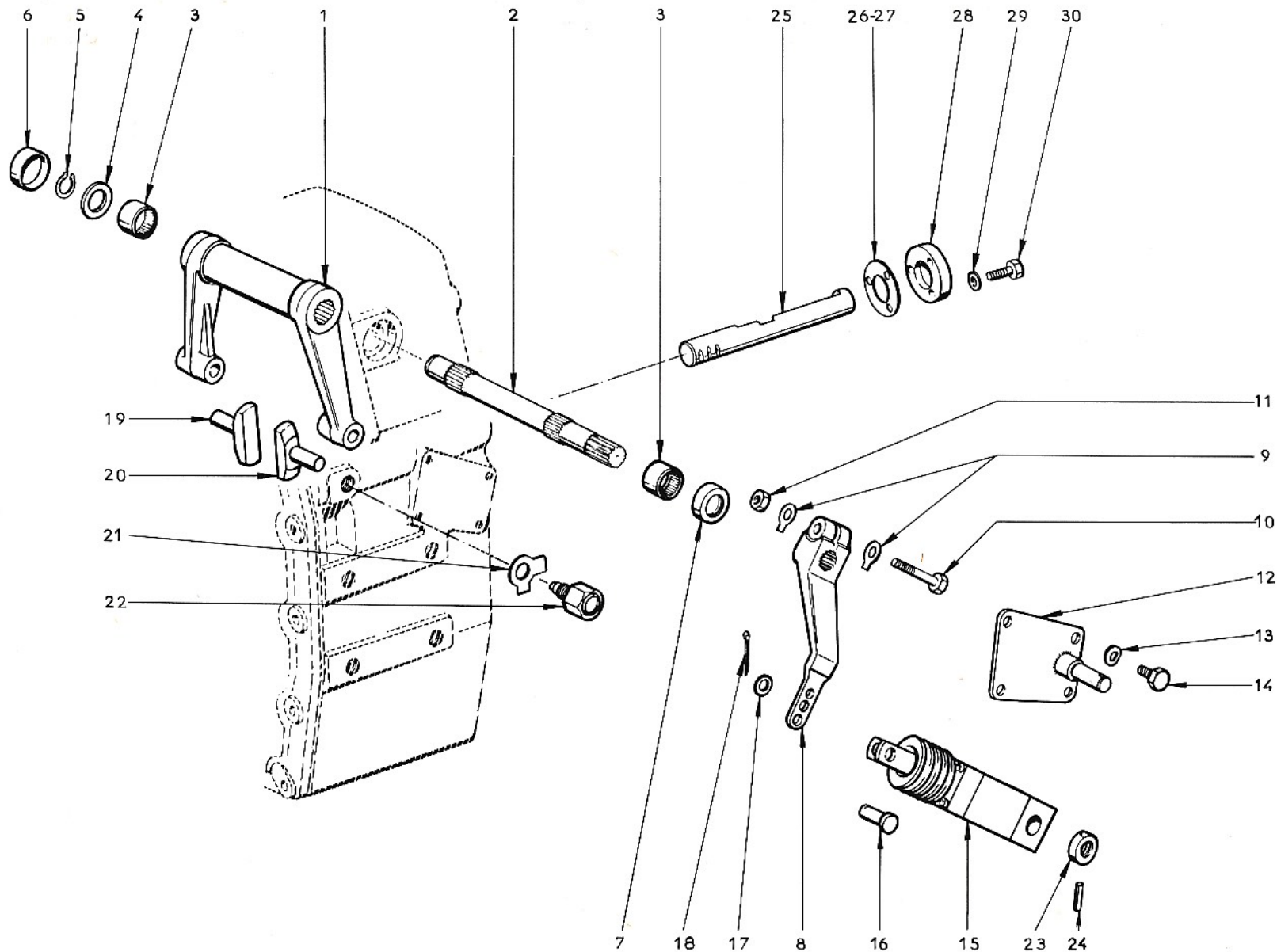
1 2 3 4 5

| 6  | 7        | 8              | 9 | 10 |
|----|----------|----------------|---|----|
| 1  | 61653236 | FOURCHETTE     | 1 |    |
| 2  | 61653256 | ARBRE          | 1 |    |
| 3  | 61653197 | DOUILLE AIGUIL | 2 |    |
| 4  | 61653214 | RONDELLE       | 1 |    |
| 5  | 61653177 | CIRCLIPS       | 1 |    |
| 6  | 61653174 | COUVERCLE      | 1 |    |
| 7  | 61653187 | JOINT          | 1 |    |
| 8  | 61653257 | LEVIER         | 1 |    |
| 9  | 61653178 | FREIN          | 2 |    |
| 10 | 61653205 | VIS            | 1 |    |
| 11 | 9912337  | ECROU          | 1 |    |
| 12 | 61653229 | SUPPORT        | 1 |    |
| 13 | 9916855  | RONDELLE       | 4 |    |
| 14 | 9922015  | VIS            | 4 |    |
| 15 | 61653240 | CYLINDRE       | 1 |    |
| 16 | 61653181 | AXE            | 1 |    |
| 17 | 61653173 | RONDELLE       | 1 |    |
| 18 | 61653186 | GOUPILLE       | 1 |    |
| 19 | 61653220 | COULISSEAU     | 1 |    |
| 20 | 61653221 | COULISSEAU     | 1 |    |
| 21 | 61653180 | FREIN          | 1 |    |
| 22 | 61653225 | BUTEE          | 1 |    |
| 23 | 61653215 | BAGUE          | 1 |    |
| 24 | 61653183 | GOUPILLE       | 1 |    |
| 25 | 61653255 | AXE            | 1 |    |

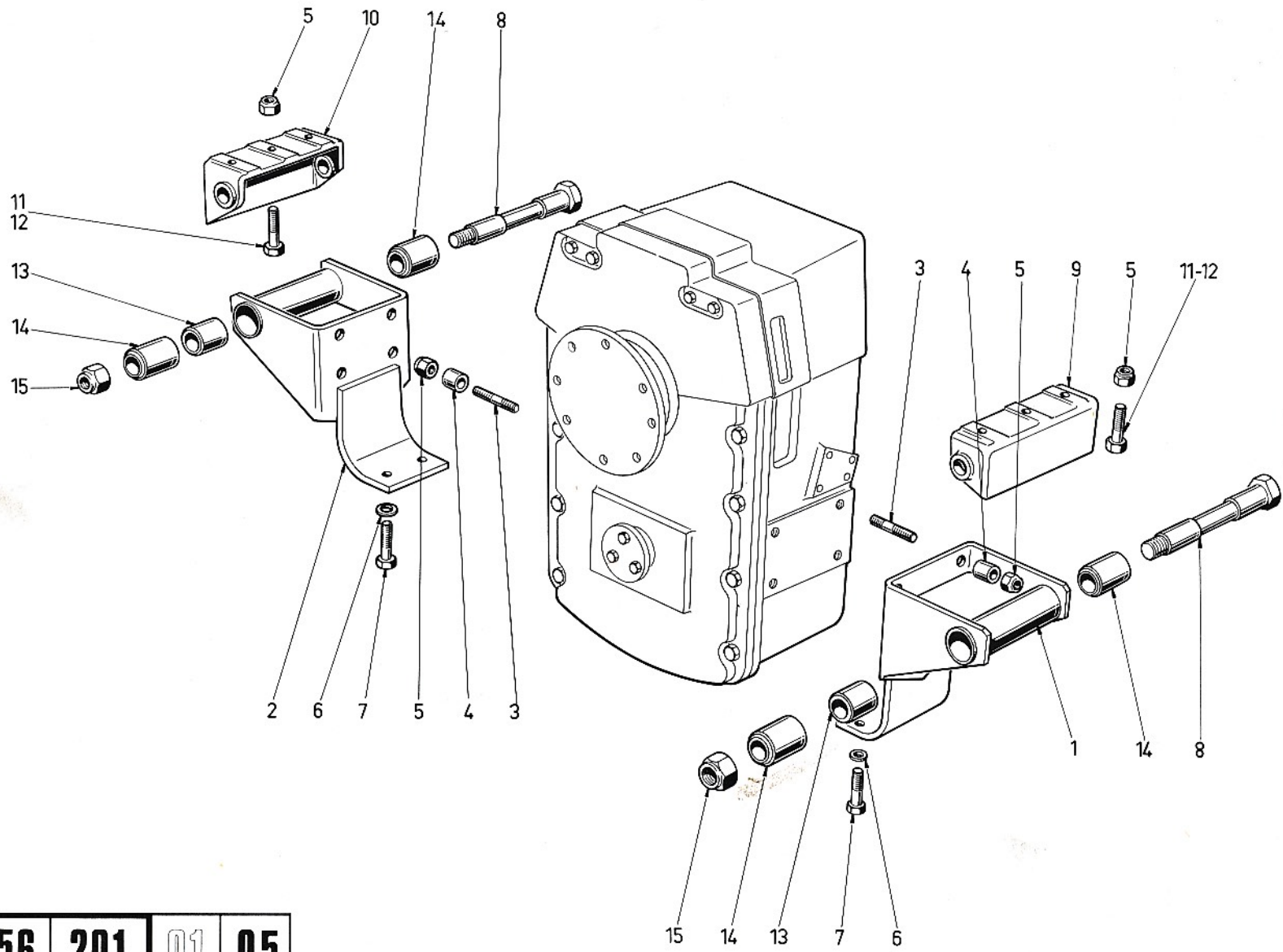
| 6  | 7        | 8              | 9 | 10 |
|----|----------|----------------|---|----|
| 26 | 61653258 | RONDELLE EP 03 |   | 68 |
| 27 | 61653676 | RONDELLE EP 02 |   | 68 |
| 28 | 61653254 | COUVERCLE      | 1 |    |
| 29 | 9916855  | RONDELLE       | 3 |    |
| 30 | 61653208 | VIS            | 3 |    |

| 10 | 11  |
|----|---|
| 68 | QUANTITÉS AU CHOIX<br>QUANTITIES AS DESIRED<br>MENGEN NACH WAHL |

| 10 | 11 |
|----|----|
|    |    |



|           |           |            |           |           |
|-----------|-----------|------------|-----------|-----------|
| <b>02</b> | <b>56</b> | <b>201</b> | <b>01</b> | <b>04</b> |
| 1         | 2         | 3          | 4         | 5         |



|           |           |            |           |           |
|-----------|-----------|------------|-----------|-----------|
| <b>02</b> | <b>56</b> | <b>201</b> | <b>01</b> | <b>05</b> |
| 1         | 2         | 3          | 4         | 5         |



DÉSIGNATION PLANCHE : SE RÉFÉRER AUX PAGES "SOMMAIRE"

PLATE DESIGNATION : REFER TO FLYLEAF

BILDBESCHRIFTUNG : SIEHE VORSATZBLÄTTER

|           |           |            |           |           |
|-----------|-----------|------------|-----------|-----------|
| <b>02</b> | <b>56</b> | <b>201</b> | <b>01</b> | <b>05</b> |
| 1         | 2         | 3          | 4         | 5         |

| 6  | 7        | 8              | 9  | 10 |
|----|----------|----------------|----|----|
| 1  | 61234561 | SUPPORT GAUCHE | 1  |    |
| 2  | 61234562 | SUPPORT DROIT  | 1  |    |
| 3  | 61234563 | GOUJON         | 8  |    |
| 4  | 61234564 | ENTRETOISE     | 8  |    |
| 5  | 61801357 | ECROU          | 14 |    |
| 6  | 61815228 | RONDELLE       | 4  |    |
| 7  | 61520129 | VIS            | 4  |    |
| 8  | 61236044 | AXE            | 2  |    |
| 9  | 61236999 | SUPPORT GAUCHE | 1  |    |
| 10 | 61237000 | SUPPORT DROIT  | 1  |    |
| 11 | 61803275 | VIS            | 2  |    |
| 12 | 61803274 | VIS            | 4  |    |
| 13 | 61230913 | ENTRETOISE     | 2  |    |
| 14 | 61230914 | SILENT BLOC    | 4  |    |
| 15 | 61236046 | ECROU          | 2  |    |

| 6 | 7 | 8 | 9 | 10 |
|---|---|---|---|----|
|   |   |   |   |    |
|   |   |   |   |    |
|   |   |   |   |    |
|   |   |   |   |    |
|   |   |   |   |    |
|   |   |   |   |    |
|   |   |   |   |    |
|   |   |   |   |    |
|   |   |   |   |    |
|   |   |   |   |    |
|   |   |   |   |    |
|   |   |   |   |    |
|   |   |   |   |    |
|   |   |   |   |    |

| 10 | 11 |
|----|----|
|    |    |

| 10 | 11 |
|----|----|
|    |    |